

**FAI** AEROBATICS COMMISSION

Pilot ID

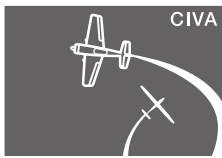
**CIVA Glider Advanced Unknown2**

Form A

Flight #

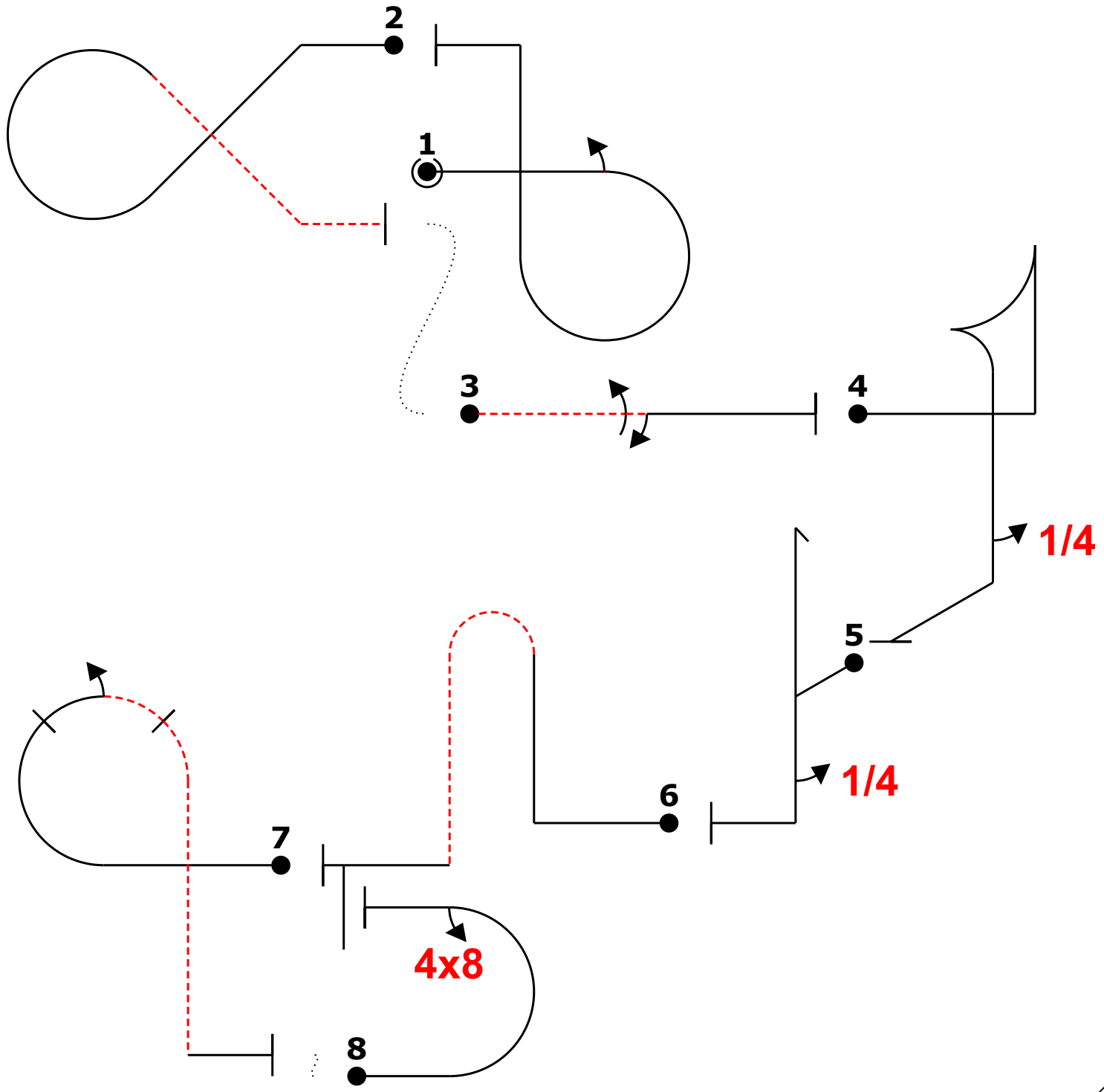
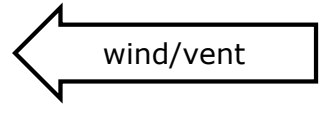
No	Symbol	Cat. No.	K	Total K	Grade	Pos	Remarks	Item	K	Grade
1		8.6.8.3 9.1.3.2	12 6	18	.			Pos.	15	
								Harm.	0	
2		7.3.1.3	14	14	.			Fig K	Total K	
								143	158	
<b>Penalties</b>										
Too Low										
Too High										
Interruptions										
Insertions										
Trg Violation										
Wing Rocks										
Disqual Fig										
Other(note...)										
<b>Final Freestyle</b>										
Duration								Min	Sec	
<b>Judges Details</b>										
Signature										
Name										
Number										
3		1.1.1.4 9.1.3.4 9.1.3.2	2 12 6	20	.					
4		6.2.1.1 9.1.5.1	17 3	20	.					
5		5.2.1.1 9.1.5.1	17 3	20	.					
6		8.4.3.1	15	15	.					
7		8.6.22.1 9.1.3.2	13 6	19	.					
8		7.2.2.1 9.8.3.2	6 11	17	.					

diverse pilot  
A/C

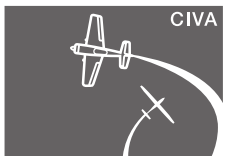


FAI AEROBATICS COMMISSION

		Form B
Pilot ID	CIVA Glider Advanced Unknown2	Flight #

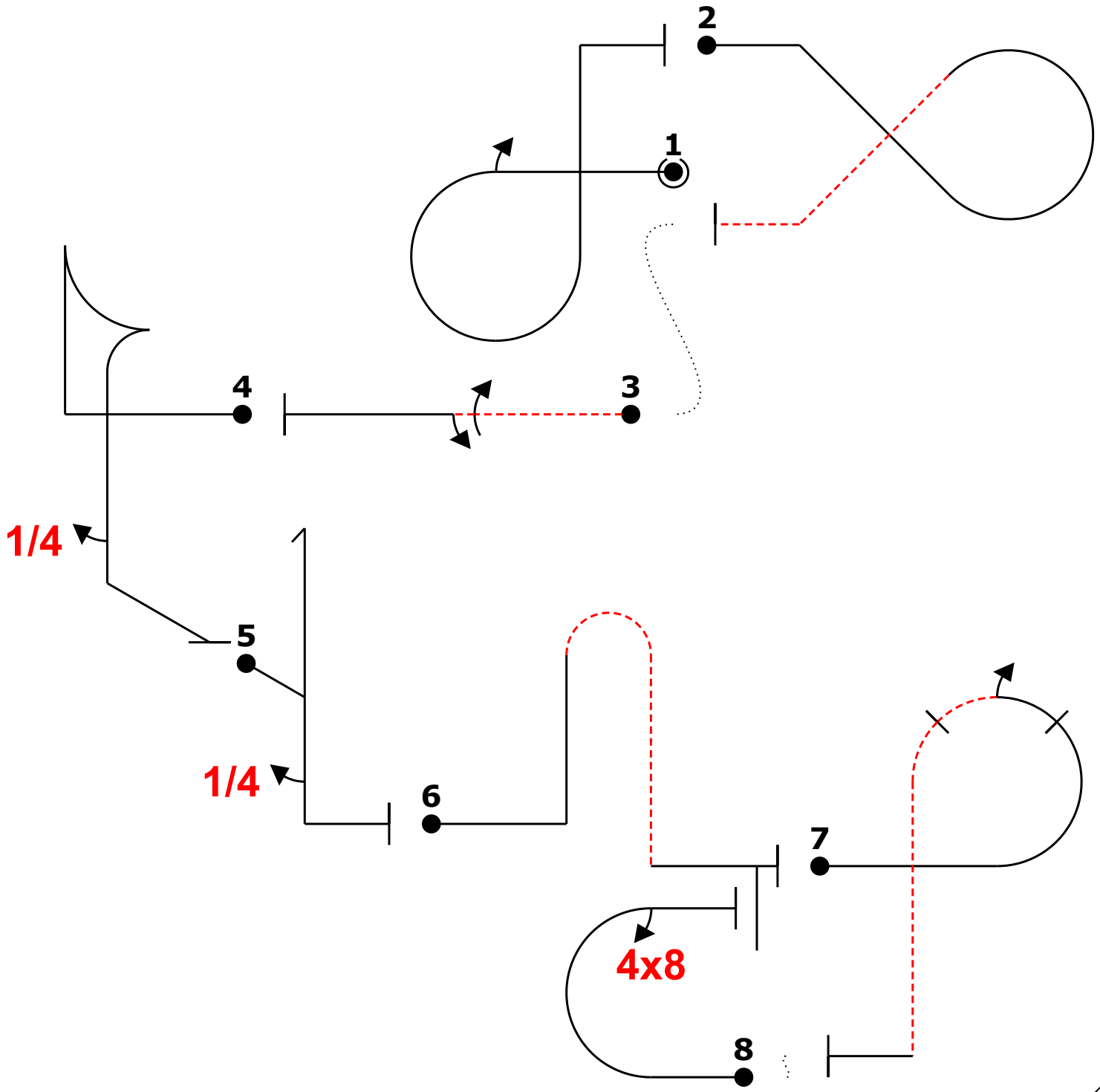
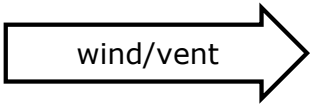


/-----/
   
 ..... Pilot
   
 ..... A/C



**FAI** AEROBATICS COMMISSION

		Form C
Pilot ID	CIVA Glider Advanced Unknown2	Flight #



diverse  
 Pilot  
 A/C